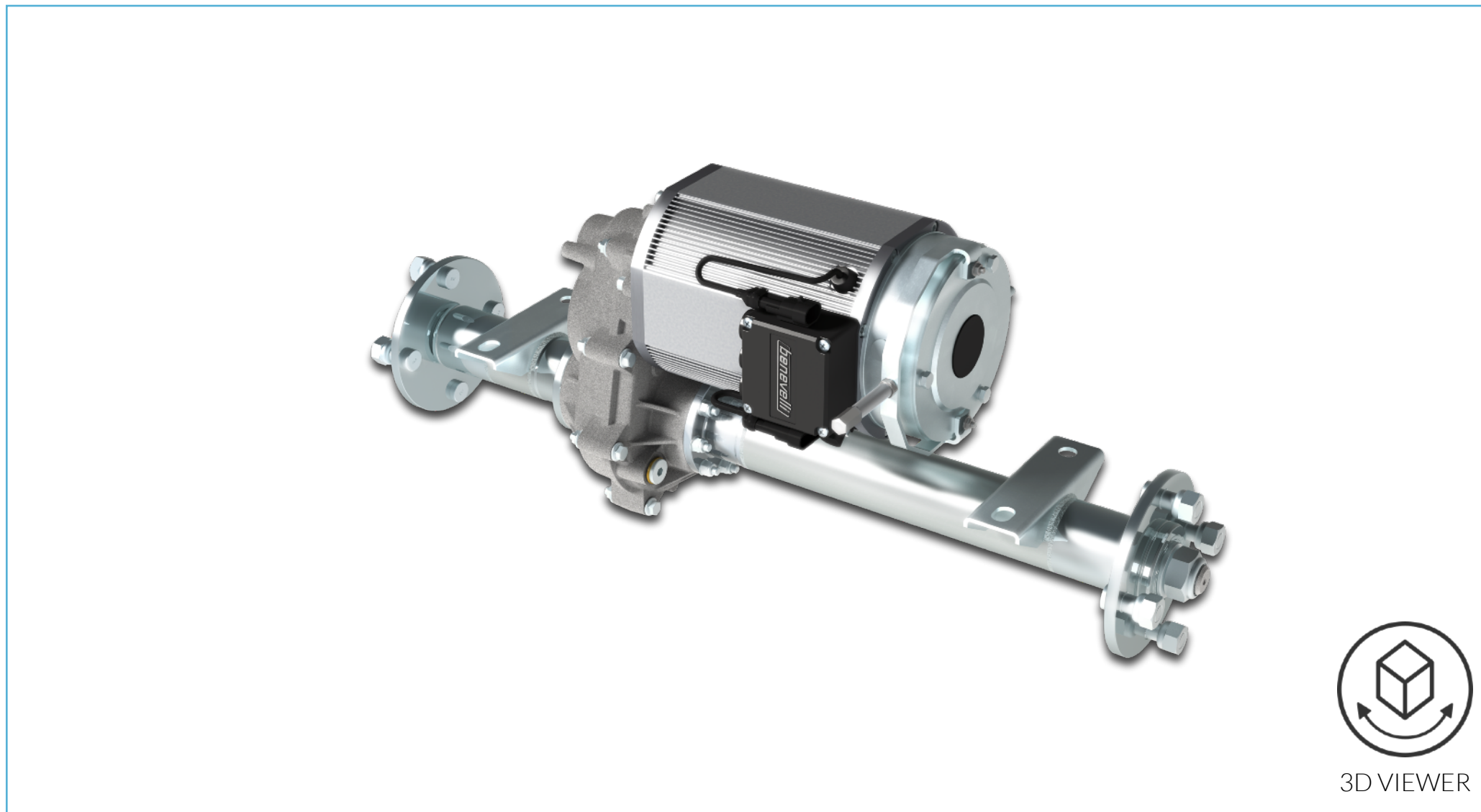
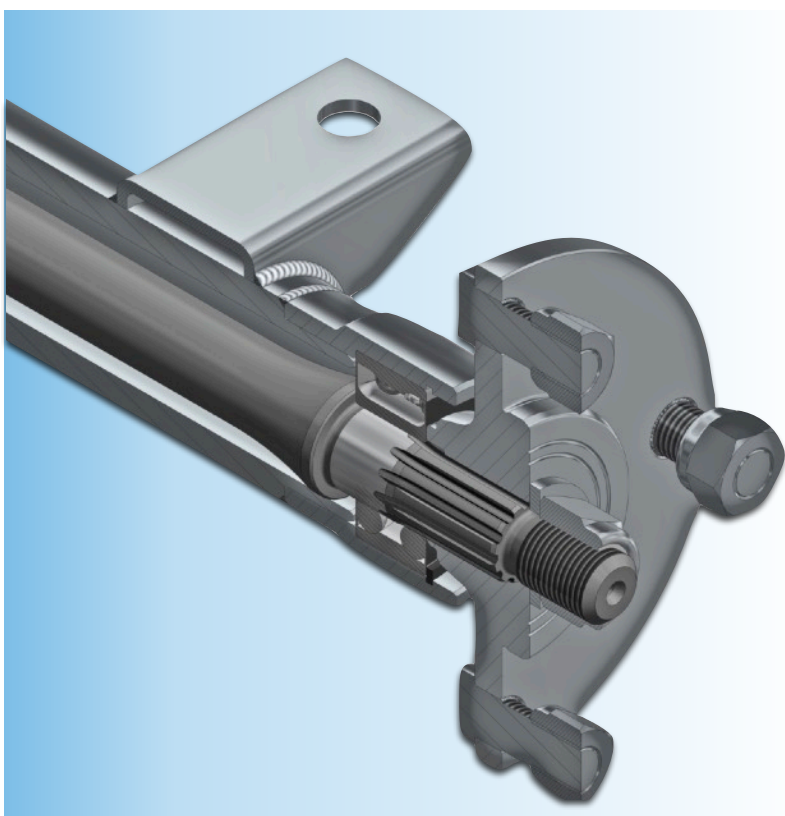


TX1 PLUS SERIE - WHEEL HUBS VERSION



SEMI FLOATING AXLE



GEARBOX FEATURES

Gear Ratios	i	6 - 10 - 12 - 16 - 19 - 22 - 24 - 28 - 32
Output Torque	Nm	500
Input Speed (Max)	Rpm	7.000
Static Load	kg	500
Axle Type		Semi floating with double row angular contact bearings
Track-width	mm	400 ÷ 1150
Efficiency (Mechanical)	%	95
Gears Finishing		Class 5
Differential Type		Open type with four pinions
Differential Lock		Mechanical (option)
Service Brakes		–
Fixation System		Mounting brackets
Wheels Fitting		Hub piloted 3 - 4 - 5 studs

ELECTRIC MOTOR FEATURES

Motor Type		AMAC Serie - AC Induction	SMAC Serie - PMAC (IPM)
Power Range (Continuous)	kW	0,6 ÷ 1,7	1,5 ÷ 3,0
Power Range (Peak)	kW	Up to 3,0	Up to 8,5
Rated Voltage	V	24 ÷ 120	24 ÷ 120
IP Rating	IP	20 - 54 - 66 - 67 - 6k9k	20 - 54 - 66 - 67 - 6k9k
Motor Feedback		Hall effect 64 pulse	SinCos (resolver option)
Thermal Class		F	F
Thermal Protection		KTY 84-130	KTY 84-130
Connections		Terminal box (flying cables option)	Terminal box (flying cables option)
Cooling		Self cooling (liquid cooling option)	Self cooling (liquid cooling option)
Parking/Safety Brake		Electromagnetic	Electromagnetic
Braking Torque	Nm	6 ÷ 20	6 ÷ 20
Manual Release		Option	Option