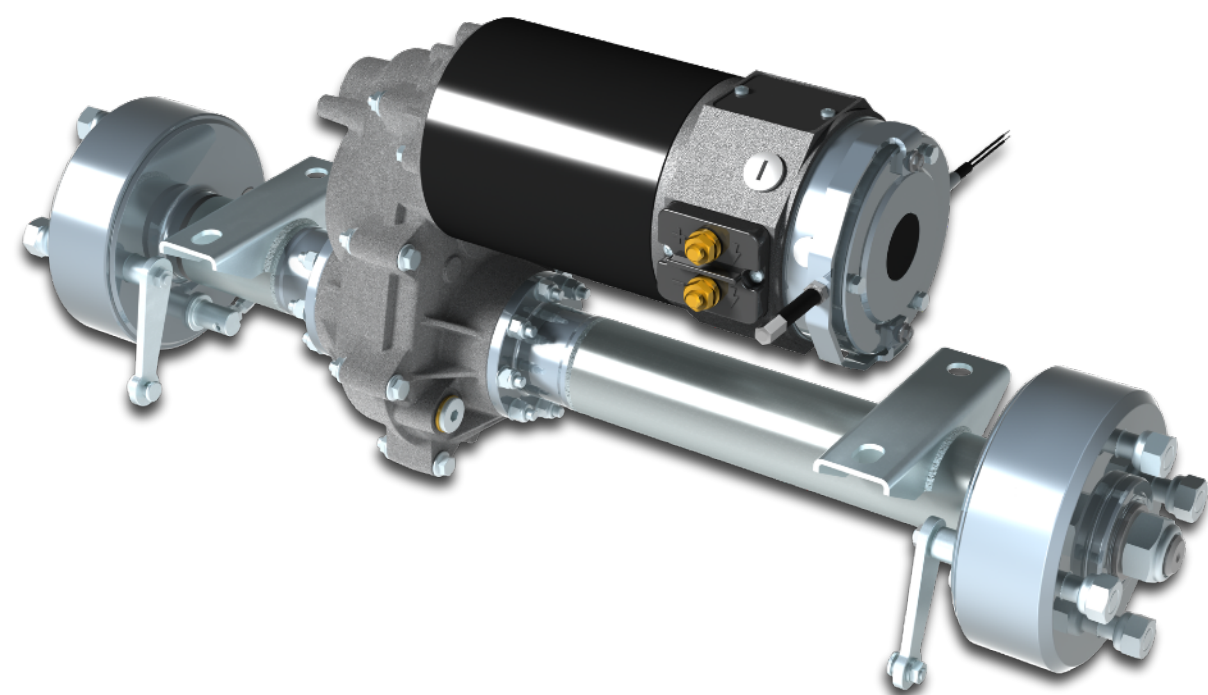
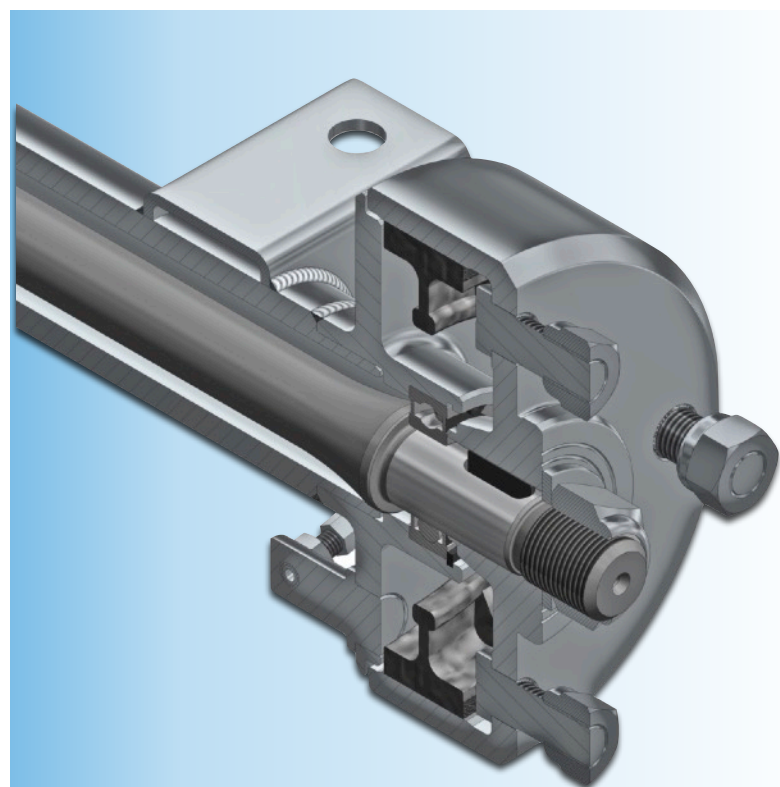


TX1 SERIE - DRUM BRAKES VERSION



3D VIEWER

SEMI FLOATING AXLE



SERVICE BREAKS

Brake Fluid Type		—
Brake Cylinder Diameter	mm	—
Volume Displacement	Cc	—
Braking Torque	Nm	500
Brake Lever Force (Max)	N	500
Brake Shoes	mm	124 x 25
Brake Linings		Beral 1109
Adjusting system		—

GEARBOX FEATURES

Gear Ratios	i	6 - 10 - 12 - 16 - 19 - 22 - 24 - 28 - 32
Output Torque	Nm	300
Input Speed (Max)	Rpm	7.000
Static Load	kg	400
Axle Type		Semi floating
Track-width	mm	400 ÷ 1150
Efficiency (Mechanical)	%	95
Gears Finishing		Class 5
Differential Type		Open type with four pinions
Differential Lock		Mechanical (option)
Service Brakes		Mechanical
Fixation System		Mounting brackets
Wheels Fitting		Hub piloted 3 - 4 - 5 studs

ELECTRIC MOTOR FEATURES

Motor Type		PMDC Serie - DC Permanent Magnet	AMAC Serie - AC Induction
Power Range (Continuous)	kW	0,5 ÷ 0,8	0,6 ÷ 1,7
Power Range (Peak)	kW	Up to 1,2	Up to 3,0
Rated Voltage	V	24 ÷ 48	24 ÷ 120
IP Rating	IP	20 - 54	20 - 54 - 66 - 67 - 6k9k
Motor Feedback		—	Hall effect 64 pulse
Thermal Class		F	F
Thermal Protection		—	KTY 84-130
Connections		Terminal	Terminal box (flying cables option)
Cooling		Self cooling (internal fan cooling option)	Self cooling (liquid cooling option)
Parking/Safety Brake		Electromagnetic	Electromagnetic
Braking Torque	Nm	6 ÷ 12	6 ÷ 20
Manual Release		Option	Option