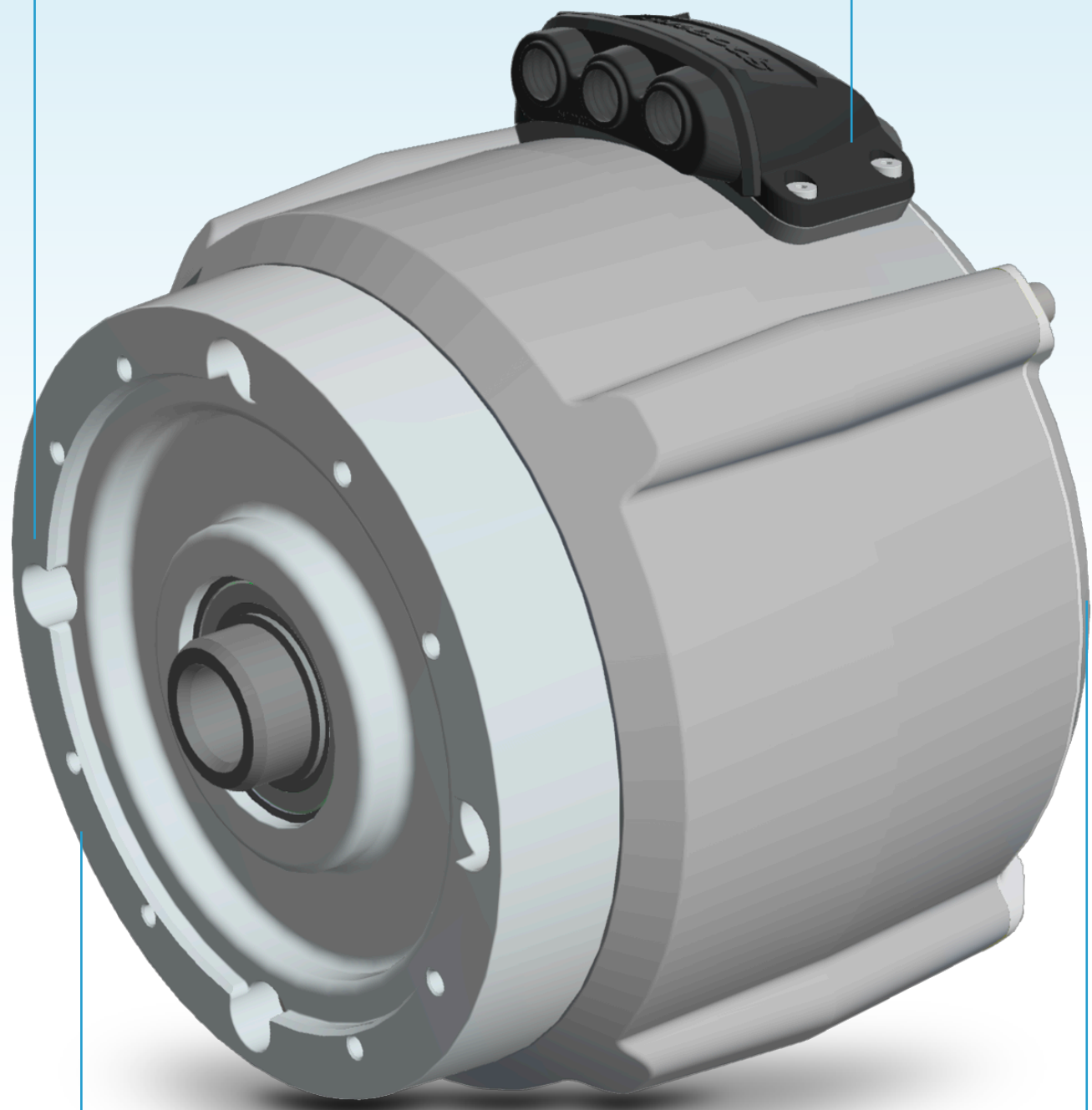


# SMAC SERIE - 10kW ELECTRIC MOTOR



READY FOR TX2 SERIE

WATER RESISTANT DESIGN



IEC-NEMA FLANGES AVAILABLE

EM BRAKE & ENCODER READY

## MOTOR FEATURES

MOTOR TYPE		PMAC
RATED POWER	kW	10,00
PEAK POWER	kW	32,00
RATED VOLTAGE	V	48 ÷ 80
OPERATING MODE	S2	60MIN
RATED SPEED	RPM	4400
EFFICIENCY PEAK	%	94
PROTECTION DEGREE	IP	65
INSULATION CLASS		F (155°)
CONNECTION		DELTA
THERMAL PROTECTION		KTY 84-130
ENCODER		SIN/COS
INCREM. ENCODER		OPTIONAL
PARKING BRAKING		ELECTROMAGNETIC - Nm 20 ÷ 100
MANUAL RELEASE		OPTIONAL
ATEX EXECUTING		OPTIONAL
CE CERTIFICATION		COMPATIBLE
EMC DIRECTIVE		COMPATIBLE
ROHS DIRECTIVE		COMPATIBLE
UL CERTIFICATION		OPTIONAL



TECHNICAL SUPPORT



3D DRAWING



REQUEST A QUOTE

IN PARTNERSHIP WITH



DRIVING THE FUTURE OF ELECTRIC VEHICLES