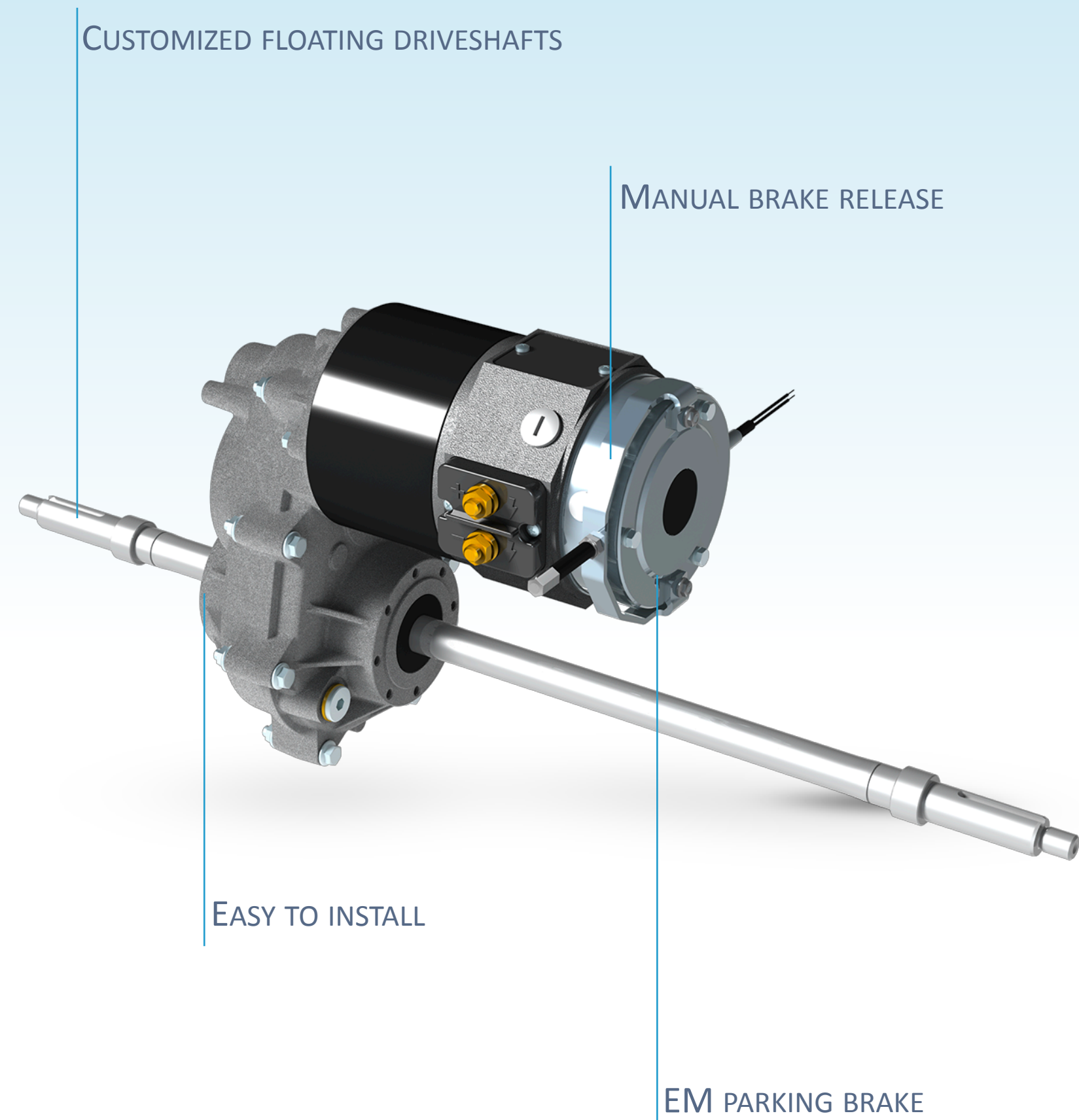


# TX1 SERIE - FLOATING DRIVESHAFTS VERSION

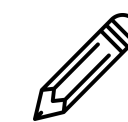


## GEARBOX FEATURES

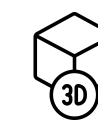
RATIOS	I	6 - 10 - 12 - 16 - 22 - 24 - 28 - 32
OUTPUT TORQUE	NM	300
INPUT SPEED (MAX)	RPM	3.500
STATIC LOAD	KG	-
TRACK-WIDTH	MM	400 ÷ 1150
GEARBOX FINISHING		GROUND GEARS
EFFICIENCY	%	95
DIFFERENTIAL LOCK		OPTIONAL

## MOTOR FEATURES

MOTOR TYPE		DC - ACIM
RATED POWER	kW	0,3 ÷ 1,7
RATED VOLTAGE	V	24 ÷ 48
INSULATION CLASS		F (155°)
PROTECTION DEGREE	IP	54 ÷ 67
SERVICE BRAKING		-
PARKING BRAKING		ELECTROMAGNETIC - Nm 6 ÷ 20
MANUAL RELEASE		OPTIONAL



TECHNICAL SUPPORT



3D DRAWING



REQUEST A QUOTE